

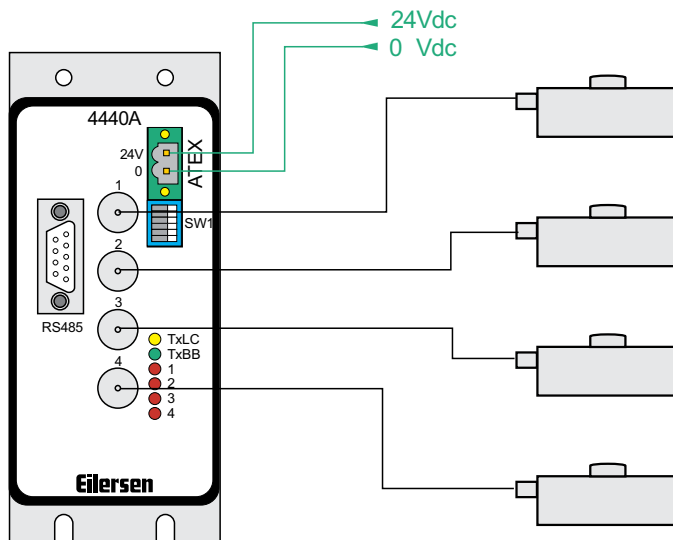
RS485 Module - Type 4X40A



RS485 Module

Special Features

- RS485 output
- Weighing module for up to 4 digital load cells
- For ATEX and non-ATEX applications
- Plug-and-play installation with Eilersen digital load cells
- Advanced digital filters (configurable)
- A "Digital Junction Box" that can be mounted near the load cells or in a central panel
- Small Form Factor
- Setup via dip switches
- For ATEX when supplied by power supply type 4051A
- The power supply 4051A and module type 4X40A must be installed outside the hazardous zone
- Application software can be made by request



RS485

Inputs

- Up to 4 coaxial connectors for digital load cells
- Non-ATEX applications: 24Vdc, 2A
- ATEX applications: Safe power supply 24Vdc, 0.2A from ATEX power supply type 4051A

Module output

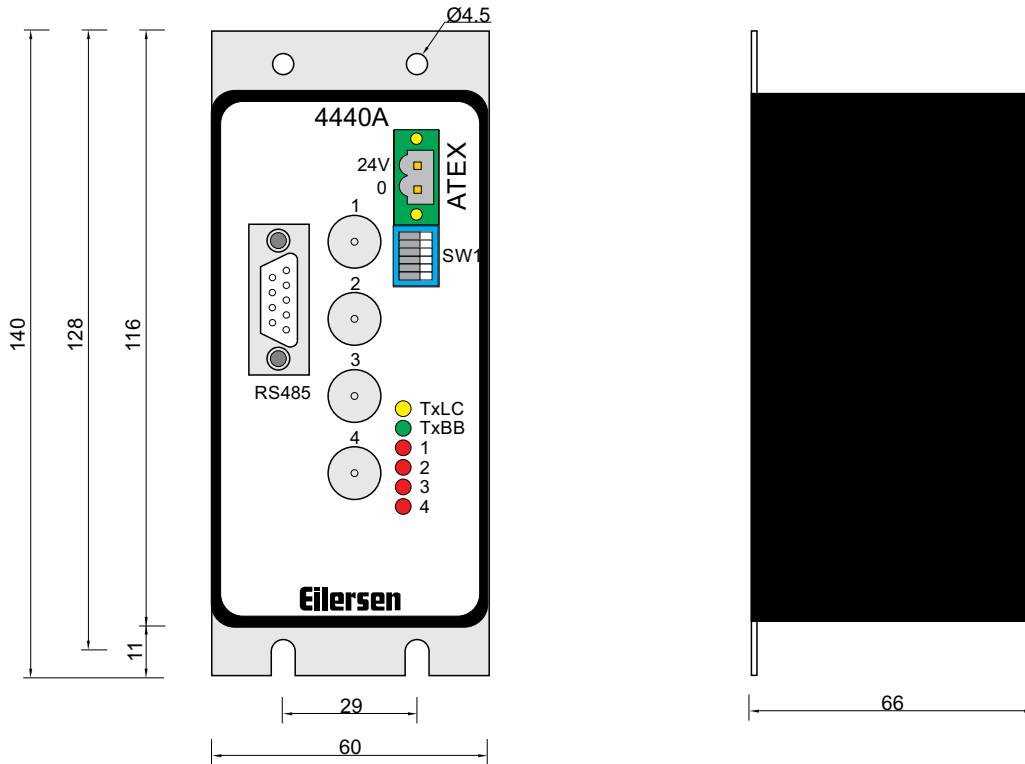
- RS485 sub-D connector

Order information

| No of load cells | Type |
|------------------|-------|
| 1 | 4140A |
| 2 | 4240A |
| 3 | 4340A |
| 4 | 4440A |

RS485 Module - Type 4X40A

Dimensions (mm)



4000 Generation Modules

| Parameter | Unit | Data |
|---------------------------------|------|--|
| Application | | 4000 generation load cells and modules |
| ATEX: Safe Power Supply | | ATEX certified power supply type 4051A |
| Non-ATEX: Standard Power Supply | Vdc | 24Vdc +/- 10%, 2A |
| Operating Temperature Range | °C | -20 to +50 |
| Weight | g | 450 |
| Housing | | Anodized Aluminum |
| Mounting | | Mounting base or DIN rail |