

NEW Generation Load Cells

## Compression Load Cell CM (CM-Ex)



### Special Features

- EHEDG compliant design
- Made in Denmark
- ATEX certified (Zone 1, 2, 21, 22)
- Robust capacitive technology
- High tolerance of up to 500% overload
- Stainless steel
- Hermetically sealed to IP68
- Laser welded
- Low profile and hygienic design
- Can be supplied with Mud resistant and Halogen free cables for offshore installation
- Withstands welding voltages and ESD
- Cable length up to 100meters
- Capacity (E<sub>max</sub>): 6000, 8000, 10000, 15000, 25000kg
- Accuracy: Industrial 0.10%, Precision 0.05%
- Load cell cable replaceable on-site
- Pre-calibrated with signal in kg or N
- Calibration independent of cable length
- Easy mechanical and electrical installation
- Can be used in both ATEX and non-ATEX installations
- [Examples Hygienic Digital Compression Load Cells](#)

### Applications

#### Applications

- Tank weighing
- Process weighing
- Level measurement
- Filling and dosing
- Large Vessels
- Offshore applications
- Heavy duty applications

#### [Examples Digital Compression Load Cells](#)

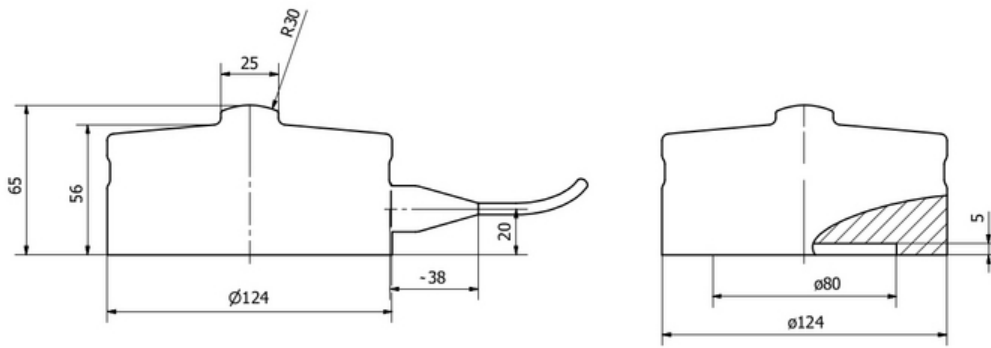


### Specifications

Parameter	Unit	0.10%	0.05%*
Rated capacity (E <sub>max</sub> )	kg	6000, 8000, 10000, 15000, 20000, 25000	
Safe overload limit	% of E <sub>max</sub>	200 to 400	
Safe sideload limit	% of E <sub>max</sub>	200 to 500	
Minimum dead load	% of E <sub>max</sub>	0	
Accuracy	% of E <sub>max</sub>	0.100	0.050
Repeatability	% of E <sub>max</sub>	0.030	0.020
Hysteresis	% of E <sub>max</sub>	0.055	0.040
Creep 30 min.	% of E <sub>max</sub>	0.060	0.040
Temperature effect on zero	% /10°C	0.060	0.045
Temperature effect on sensitivity	% /10°C	0.060	0.045
Compensated temperature range	°C	-10 to 50	
Operating temperature range	°C	-50 to 70 (100*)	
Deflection at E <sub>max</sub>	mm	max 0.10	
Measuring rate	Hz	500	
Supply	Vdc	24Vdc ±10%	
Internal resolution	Bit	24	
Material		Stainless Steel 17-4 PH and AISI 316	
Protection		IP68	
Cable		6 meter standard coaxial RG-58 (06mm) with BNC connector	
Maximum cable length	m	100	
Weight	kg	3.6	
Output options		PROFINET, Modbus TCP/IP, Profibus DP, DeviceNet, Modbus ASCII/RTU, EtherNet/IP, RS485, 4-20 mA, 0-10Vdc	

\* higher accuracies available on request

\*\* with Teflon cable

**Dimensions (mm)****Options**

- ATEX (Zone 1, 2, 21, 22) version type CM-Ex
- ATEX II 2G Ex ia IIC T6 Gb / ATEX II 2D Ex IIIC T85°C Db
- Hygienic and Standard Base Plate available
- Load cell cable length 10, 20, 50 or 100meters
- Mud resistant and Halogen free cables for offshore installation
- Special PE load cell cable available for freezing low temperature (can be used down to -50 degrees Celsius)
- Special Teflon load cell cable available for very high temperature (can be used up to 100 degrees Celsius)

**Documentation**

- [Digital Compression Load Cell Type CM Dimensions PDF](#)
- [4000 Generation ATEX Certificate SEV14 ATEX 0171 X \(GERMAN\) PDF](#)
- [4000 Generation ATEX Certificate SEV14 ATEX 0171 X \(ENGLISH\) PDF](#)
- [CM CM-Ex Compression Load Cell STEP 3D CAD File \(right click -> "Save Link As..."\)](#)
- [Examples Digital Compression Load Cells](#)
- [Guideline Correct Mounting of BNC Connector \(UK\) PDF](#)
- [Hygienic Base Plate for CM dimensions PDF](#)
- [Standard Base Plate for CM dimensions PDF](#)

**Disclaimer and Legal Information:** The information on this web site is provided in connection with products supplied by Eilersen Electric A/S and affiliated companies ("Eilersen"). No license, expressed or implied, to any intellectual property rights is granted by this information or any documents on the web site. Eilersen assumes no liability and disclaims any expressed or implied warranty, relating to sale and/or use of Eilersen products including liability or warranties relating to fitness for a particular purpose. The information on this web site is provided as a service and for information purpose only and is subject to change without prior notice. Eilersen assumes no responsibility or liability whatsoever for any errors or inaccuracies that may appear on this web site. Eilersen is not responsible for any loss of hardware, software or files, caused by the use of the web site or elements downloaded or used from/on the web site. Hence Eilersen makes no warranty, that the web site or product or services provided on the web site (including free software downloads) will meet your requirements or will be uninterrupted, timely, secure or without errors, or that the web site or the servers used by Eilersen are free of viruses or bugs or are fully functional or accurate.